

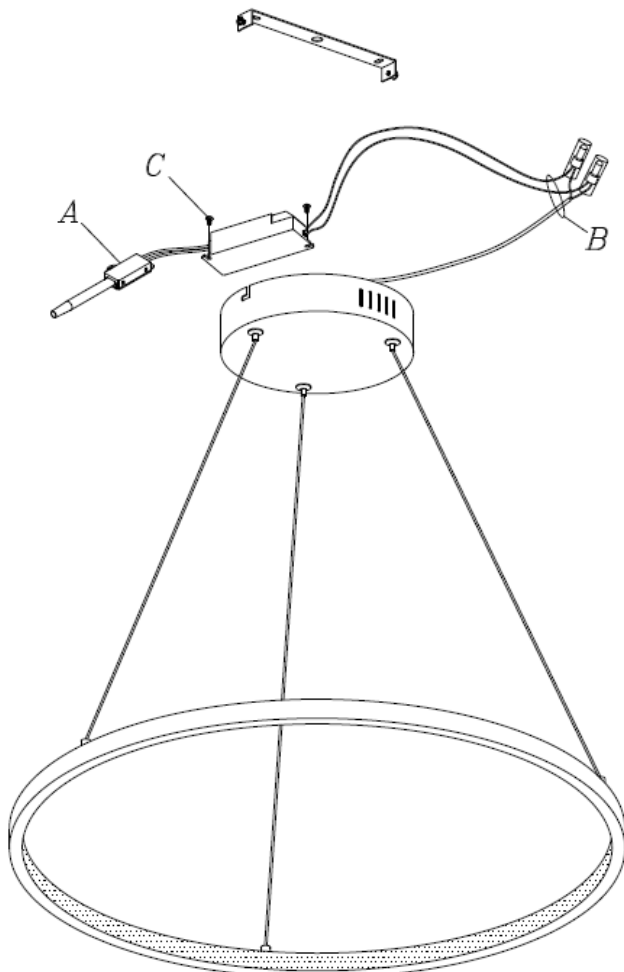
# Disposal & Dismantling

Article number: 4308796  
Light source: LT2579\_module

## **Dismantling of LED driver for disposal purposes**

Firstly, disconnect the product from any power supply. Make sure that the mains power line is voltage-free – turn off safety cut-out or unscrew the protection fuse. The switch must be in OFF position. Secure it against unauthorized switching on.

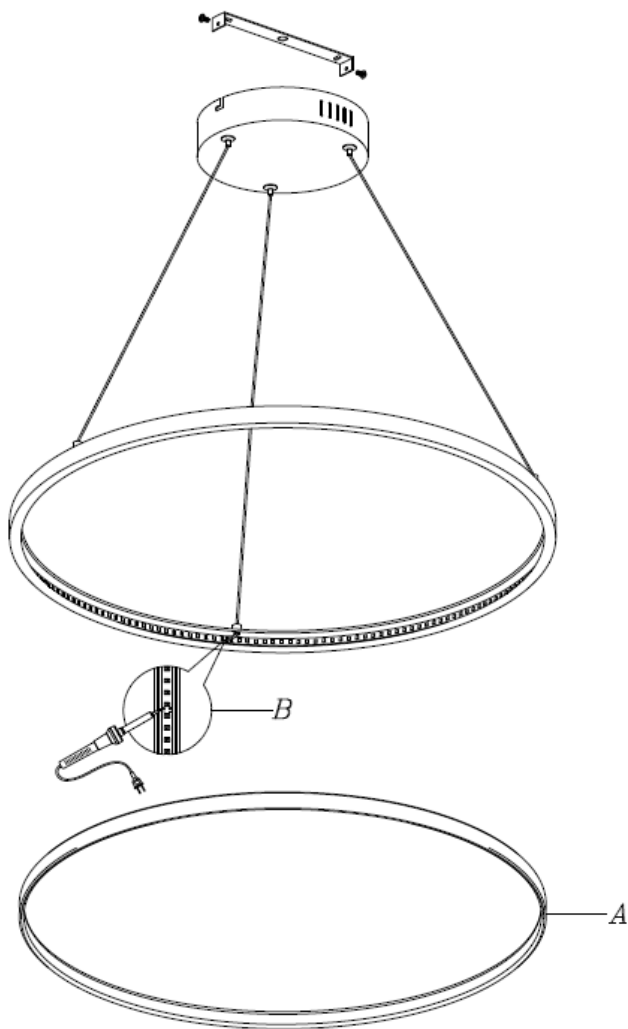
- 1) Remove the bracket from the lamp base.
- 2) Loosen the screws on the luster terminal and disconnect the wires (A).
- 3) Remove the wire conjunction (B).
- 4) Remove the screws and take out the LED driver (C). Dispose the LED driver according to the relevant legal regulations.



## **Dismantling of light source for disposal purposes**

Firstly, disconnect the product from any power supply. Make sure that the mains power line is voltage-free – turn off safety cut-out or unscrew the protection fuse. The switch must be in OFF position. Secure it against unauthorized switching on.

- 1) Remove the lamp base from the mounting bracket.
- 2) Remove the cover of the ring frame (A).
- 3) Pull out the light source (B) from the ring frame. Dispose of the light source according to the relevant legal regulations.



## **Manufacturer**

DI-KA Vertriebsgesellschaft mbH & Co. KG  
Oberstrasse 4  
59755 Arnsberg  
Germany  
Tel: +49 2932 9022580  
<http://www.di-ka.net/>